

Receiver

From

Company
Reference
Address
Phone
Fax
E-mail

Item n° : **Customer pos. no.:**
60191251

Model :
FEKA FXC 20.15 M-A 230 V

Type of installation :
Wet - Pump only

Pump data

Free passage : 50 mm
Max. immersion depth : 20 m
Min. fluid temperature : 0 °C
Max. fluid temperature : 50 °C

Requested data

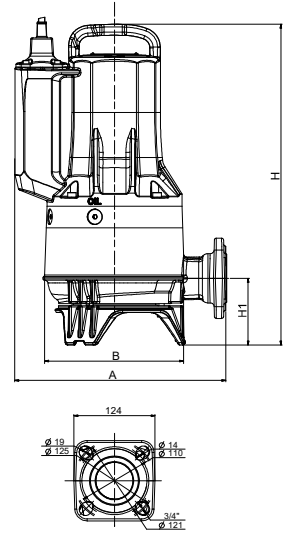
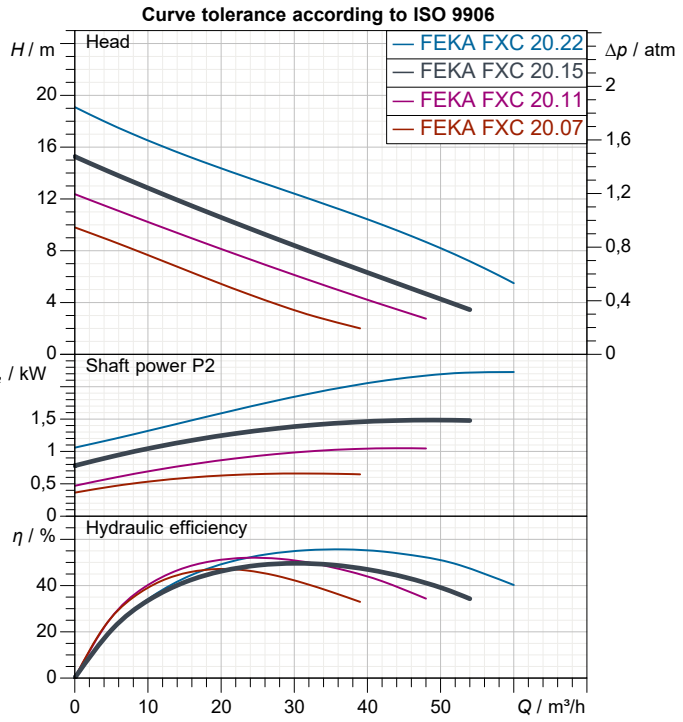
Flow :
Head :
Fluid : Water
Fluid Temperature : 20 °C
Density : 998,3 kg/m³
Kinematic viscosity : 1,005 mm²/s
Vapor pressure : 0,023094 atm

Hydraulic data (duty point)

Flow :
Head :

Materials

Handle Cast iron (EN GJL 200)
Pump body / motor Cast iron (EN GJL 200)
Impeller Cast iron (EN GJL 250)
Mechanical seal pump side SiC-SiC/SiC-C
Mechanical seal motor side SiC/Carbon
O-Ring NBR
Motor shaft Stainless Steel AISI 304



Motor data

Motor brand : DAB
Nominal power P_2 : 1,5 kW
Rated speed : 2.870 1/min
Rated voltage : 1~ 230 V 50 Hz
Nominal current : 9,1 A
Degree of protection : IP 68

Weight : 42 kg **Accessory weight :**

Dimensions in		mm			
A	322				
B	218				
DN1	50				
GAS	Rp 2"				
H	468				
H1	103				

Pump connection

Suction side : --
Discharge side : Rp 2" - DN 50 PN10/6



PERFORMANCE CURVES

2023-11-10

Page 2 / 3

DAB PUMPS S.p.A.
Via Marco Polo, 14 - 35035 Mestrino (PD), Italy
Tel. +39 049 5125000 - Fax +39 049 5125950
www.dabpumps.com

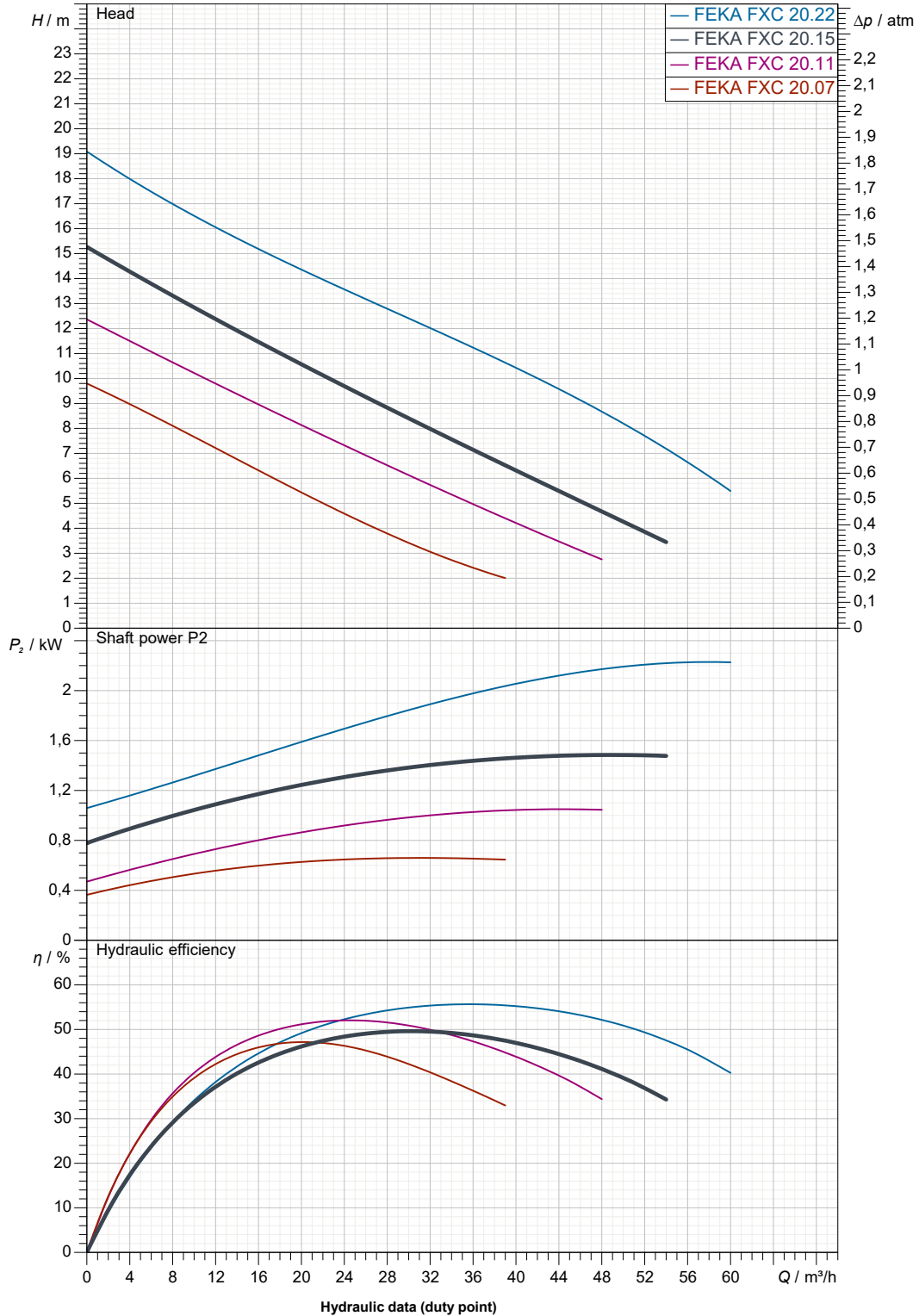
Receiver

From

Company
Reference
Address
Phone
Fax
E-mail

FEKA FXC 20.15 M-A 230 V

Curve tolerance according to ISO 9906



Suction side :

Discharge side :
Rp 2" - DN 50 PN10/6
--

Flow :

Head :

Rated speed :
2.870 1/min

MAIN_PROJECT_TITLE

BUSINESS_PROCESS_ID

OWNER_

ISSUE_DATE
2023-11-10



DIMENSIONAL DRAWING

DAB PUMPS S.p.A.
Via Marco Polo, 14 - 35035 Mestrino (PD), Italy
Tel. +39 049 5125000 - Fax +39 049 5125950
www.dabpumps.com

2023-11-10

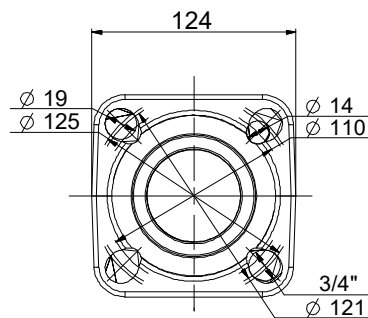
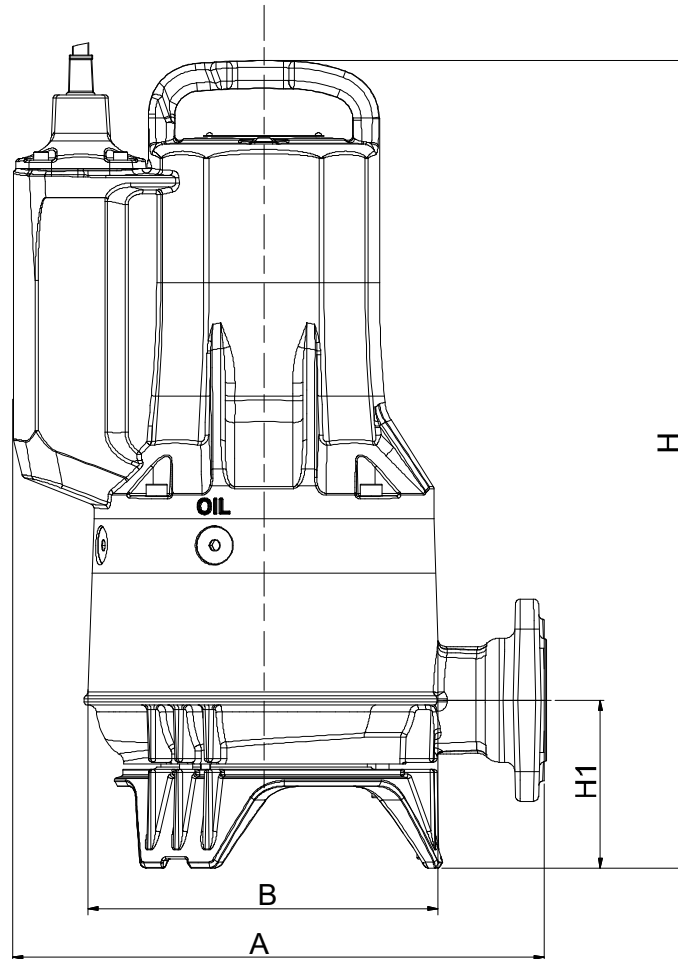
Page 3 / 3

Receiver

From

Company
Reference
Address
Phone
Fax
E-mail

FEKA FXC 20.15 M-A 230 V



Dimensions in mm			Pump connection			
1	A	322				
2	B	218				Suction
3	DN1	50				
4	GAS	Rp 2"				Discharge
5	H	468				Rp 2" - DN 50 PN10/6
6	H1	103				--
7						
8						
9						
10						
11						

MAIN_PROJECT_TITLE	BUSINESS_PROCESS_ID	OWNER	ISSUE_DATE 2023-11-10
--------------------	---------------------	-------	---------------------------------